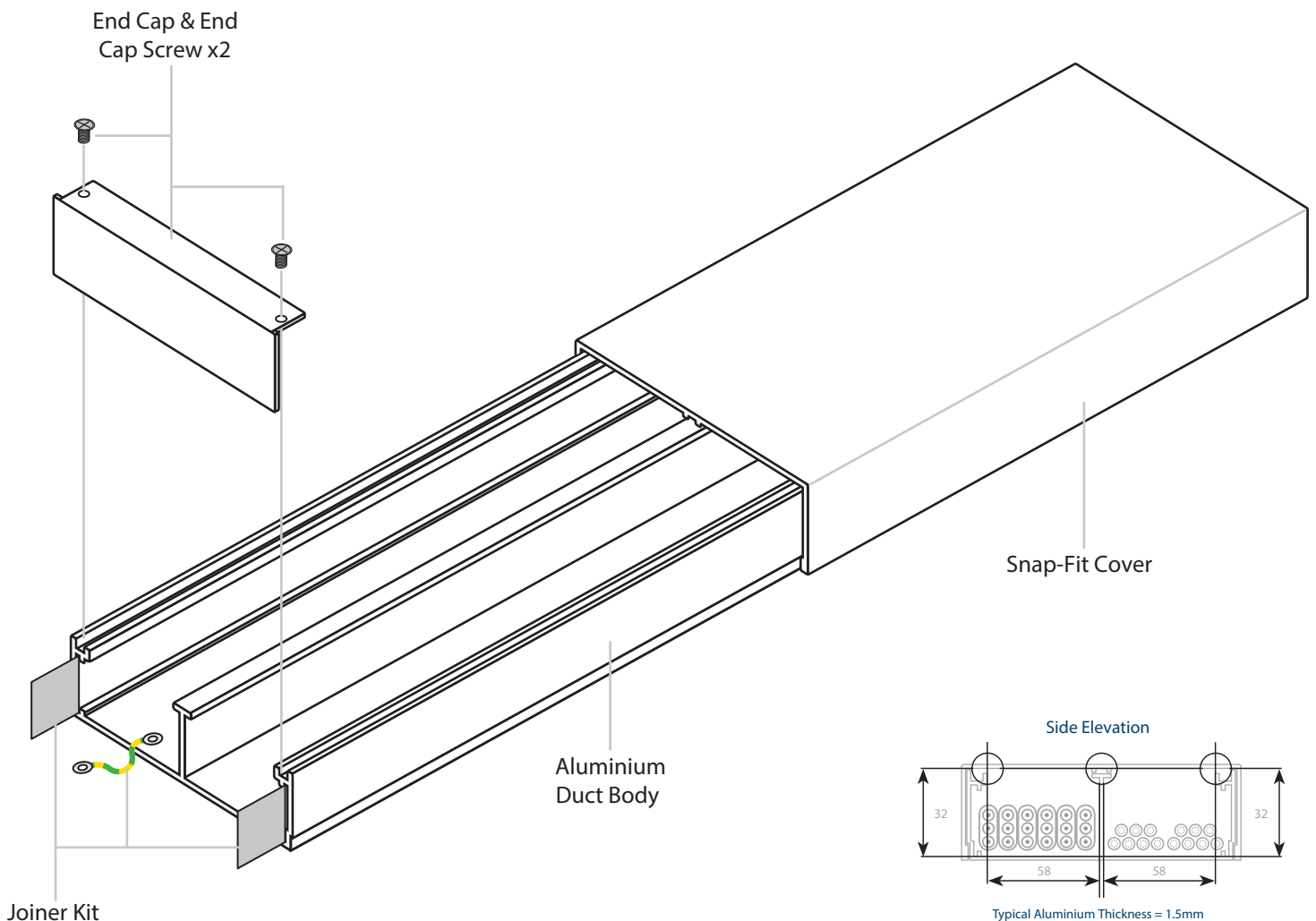


PARTS & ACCESSORIES LIST

DESCRIPTION	PRODUCT CODE
3m Aluminium Duct Body (150x35mm) Includes 1 x Joiner Kit	AFD35
3m Square Aluminium Duct Snap-Fit Cover available in Mill or Black Ripple (included when ordering AFD35)	AFD35 C
Aluminium End Cap includes 2 x End Cap Screws available in Mill or Black Ripple finishes	AFD35S E
The Following Above Ground Floor Boxes are Compatible with AFD35 Above Floor Duct:	AFB20 & AF B70

Square Cover



Outlets are not included. All Dimensions quoted are nominal only. Drawings, images and diagrams are for illustrative purposes only and are not to scale. Product details and dimensions are subject to change without notice. This product is not suitable for use in wet areas, is intended for use with fixed wiring only and must be installed by a licensed electrical mechanic in accordance with AS3000, SAA Wiring Rules and A.C.A Requirements